



**RESPIRATORY  
PROTECTION  
PRODUCTS**

**BLS SRL**  
via dei Giovi, 41  
20032 Cornano (MI) - Italy  
t/f +39 0239310212 / 0266200473  
info@blsgroup.it - www.blsgroup.com

# BLS 5000 SERIES



REUSABLE FULL FACE MASKS WITH BAYONET CONNECTION

BLS 5000 series reusable full face masks are available in silicone or thermoplastic rubber. They are designed to be used in combination with our quick **b-lock** bayonet filters (BLS 200 series) that protect against gas/vapors and toxic particulates.



## HARNESS

Fixed on 6 connection points, BLS 5000 series harness guarantees a highly precise adjustment by distributing the pressure on the face uniformly.

## FACE SEAL

Available in soft but resistant TPE (BLS 5600) or soft, very comfortable and anallergic silicon, which is also characterized by a very good resistance to high heat (BLS 5700).

## ANTI-FOG

Designed to avoid visor fogging through the control of the cold and hot air flowing inside the mask without perishable surface treatments.

## NEW INNER HALF MASK

The half mask has been redesigned to better fit the facial profile, and is easily replaceable. It is made of soft TPE, which is non-deformable.

## AVAILABLE SIZES (BLS 5700)

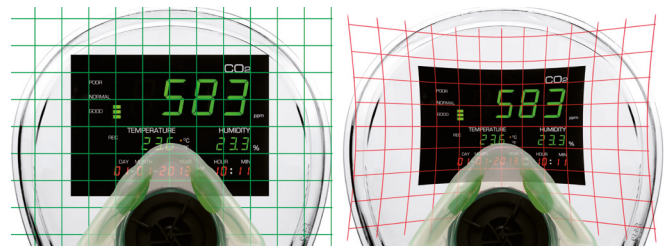
BLS 5700 full face mask is available in Small, Medium and Large size, to perfectly fit all facial profiles.

## b-lock BAYONET CONNECTION

This connection is highly intuitive allowing a quick and safe hold on the mask. It has a locking feedback allowing the user to know if the filter has been properly placed. The dual filter solution ensures a wider field of vision, as well as an ideal distribution of the weight of filters.

## PHONIC MEMBRANE (BLS 5700)

An aluminum layer, inside the breathing unit of the device, enables the transmission of vocal sound.



## SCRATCH RESISTANT VISOR, OPTICAL CLASS 1 (EN 166)

The screen allows a panoramic visual field without optical distortions. A vitrification treatment on its surface makes it scratch resistant.



**RESPIRATORY  
PROTECTION  
PRODUCTS**

**BLS SRL**  
via dei Giovi, 41  
20032 Cornano (MI) - Italy  
t/f +39 0239310212 / 0266200473  
info@blsgroup.it - www.blsgroup.com

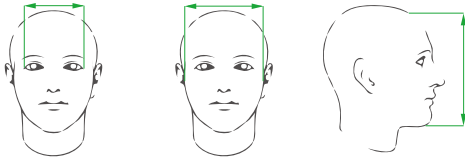
# BLS 5000 SERIES



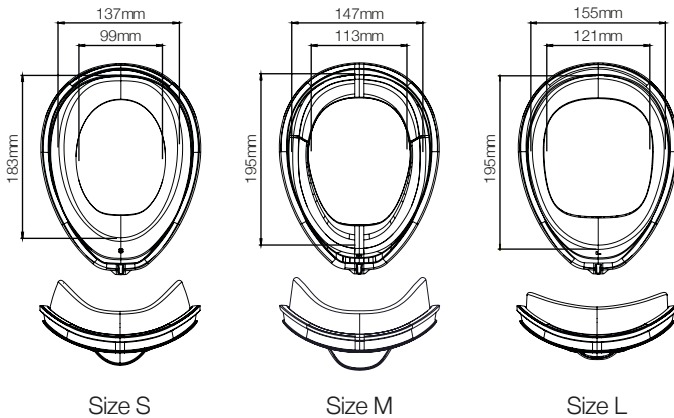
REUSABLE FULL FACE MASKS WITH BAYONET CONNECTION

## AVAILABLE SIZES

BLS 5700 full face mask is available in Small, Medium and Large size, to perfectly fit all facial profiles.



<b>S</b>	<b>99mm</b>	<b>137mm</b>	<b>183mm</b>
<b>M</b>	<b>113mm</b>	<b>147mm</b>	<b>195mm</b>
<b>L</b>	<b>121mm</b>	<b>155mm</b>	<b>195mm</b>



## SILICON vs TPE

Main features of the 2 materials:

- Silicon – Smooth touch surface; higher mechanical and thermal stress resistance. In general terms, better resistance to chemicals, especially organic compounds, like solvents; more stable to UV rays, better resistance to ageing. Our silicon is FDA approved.
- TPE – Easier to mould and to recycle. Good resistance to inorganic compounds.

*NOTE: both our silicon and TPE are allergenic (Test report from Centrocot SpA n. 24RA05613 and 24RA05611 dated June 2024).*



# BLS 5000 SERIES



## REUSABLE FULL FACE MASKS WITH BAYONET CONNECTION

### MATERIALS

FACE SEAL BLS 5700	Silicone
FACE SEAL BLS 5600	Thermoplastic elastomer (TPE)
VISOR	Polycarbonate (PC) + vitrification
FILTER HOLDER	Polyamide (PA)
HARNESS	EPDM
INNER HALF MASK	Thermoplastic elastomer (TPE)
SPEECH DIAPHRAGM (BLS 5700 only)	Aluminum

*All components in direct contact with user's face are LATEX FREE  
Full face masks BLS 5700 and BLS 5600 are Made in Europe, as well as all their components*

### TECHNICAL DATA

MODEL	FACE SEAL	DEVICE CLASS	OPTICAL CLASS EN 166	CONNECTION	NPF (particle and combined filter)	NPF (gas filter)
BLS 5700	Silicone	2	1	Bayonet (b-lock)	1000*TLV (P3)	2000*TLV
BLS 5600	Thermoplastic	2	1	Bayonet (b-lock)	1000*TLV (P3)	2000*TLV

*(TLV) Threshold Limit Value (NPF) Nominal Protection Factor*

### TRANSPORT

MODEL	CODE	SIZE	WEIGHT (g)	Q. TY/BOX	Q. TY/CARTON	WEIGHT CARTON (Kg)
BLS 5600	8001083	M	522	1	4	3,60
BLS 5700	8102017	S	593	1	4	3,89
BLS 5700	8001036	M	573	1	4	3,81
BLS 5700	8102018	L	543	1	4	3,69

### STORAGE

SHELF-LIFE	10 years
TEMPERATURE	-10°C / +50°C
RELATIVE HUMIDITY	80% max

### CERTIFICATION

BLS full face masks are:

- Certified according to European Regulation 2016/425 (Personal Protective Equipments)
- Certified as PPE of III category, in presumption of conformity to harmonized standard EN 136:1998
- Certified and controlled according to Annex D by Italcert S.r.l. (Notified Body n°0426)
- CE marked

BLS management system is ISO 9001 certified.

# BLS 5000 SERIES



## REUSABLE FULL FACE MASKS WITH BAYONET CONNECTION

### AVAILABLE MODELS



Full face masks  
BLS 5700 - BLS 5600

### COMPATIBLE DEVICES



Filters  
BLS 200 series

Filters  
BLS 201 series

### DEVICES WITH THE SAME CONNECTION



Half masks  
BLS 4000next S - BLS 4000next R

### COMPATIBLE FILTERS

CODE	PRODUCT	PROTECTION	COLOUR CODE
8011118	202 P3 R <sup>(6)</sup>	Dust	○
8011109	211 A2	Organic gases and vapours, class 2	●
8011205	212 AX	Organic gases and vapours with a boiling point ≤ 65° C	●
8011110	213 ABE1	Organic, inorganic and acid gases and vapours, class 1	● ● ●
8011111	214 ABEK1	Organic, inorganic and acid gases, vapours, ammonia and derivatives, class 1	● ● ● ●
8011112	221 A2P3 R	Organic gases and vapours, class 2 and dust	● ○
8011113	222 ABEK1P3 R <sup>(2)</sup>	Organic, inorganic and acid gases and vapours and ammonia and derivatives, class 1 and dust	● ● ● ● ○
8011206	225 AXP3 NR <sup>(1)</sup>	Organic gases and vapours with a boiling point ≤ 65°C and dust	● ○
8011145	226 ABE1P3 R	Organic, inorganic and acid gases and vapours, dust	● ● ● ○
8117029	227 ABEK1HgP3	Organic, inorganic and acid gases and vapours and ammonia and derivatives, class 1, mercury vapours and dust, hydrofluoric acid	● ● ● ● ● ○
8011133	242 ABE2 <sup>(6)</sup>	Organic, inorganic and acid gases and vapours, class 2	● ● ●
8011114	243 ABEK2 <sup>(3)</sup>	Organic, inorganic and acid gases, vapours, ammonia and derivatives, class 2	● ● ● ●
8011134	244 K2	Ammonia and derivatives, class 2	●
8011140	253 ABE2P3 R <sup>(1)</sup>	Organic, inorganic and acid gases and vapours, class 2 and dust	● ● ● ○
8011141	254 ABEK2HgP3 R D <sup>(1)</sup>	Organic, inorganic and acid gases and vapours and ammonia and derivatives, class 2, mercury vapours and dust	● ● ● ● ● ○
8117008	301 P2 R <sup>(4)</sup>	Dust	○
8117030	301-3 P3 R <sup>(4)</sup>	Dust	○

<sup>(1)</sup> these filters cannot be used with half masks because their weight is >300g

<sup>(2)</sup> these filters are tested against hydrogen fluoride

<sup>(3)</sup> these filters are tested against formaldehyde

<sup>(4)</sup> dust prefilter to be mounted on BLS 200 series gas filters

<sup>(6)</sup> these filters have been tested with Nano Filtration technology

### FIELDS OF USE

The use of a full face mask is advisable in the following situations:

- when the user is exposed to contaminants which are aggressive both for the breathing apparatus and the eyes
- when the concentration of the contaminant is higher than the protection factor of halfmasks with filters.

Nominal Protection factor for full face masks: 1.000 x TLV with dusts and combined filters; 2.000 x TLV with gas filters.

# BLS 5000 SERIES



## REUSABLE FULL FACE MASKS WITH BAYONET CONNECTION

### LIMITATIONS OF USE

Do not use the full face mask when:

- oxygen concentration is < 17%
- the contaminants are not known or in concentrations higher than the NPF of the device

*NOTE: it is unlikely that a correct fit is achieved in case of users with beard or glasses.*

### ACCESSORIES



**C41** – Washable bag with shoulder belt.



**C22** – Frame for prescription lenses.



**C90** – Wall mounted container.



**Q409** – 150ml disinfectant spray bottle.



**Q409** – Multi-purpose disinfectant wipes.



**K19** – Acetate visor cover.

### SELECTION GUIDE

#### THERMOPLASTIC FACE SEAL

- Smooth touch surface
- More easily recyclable

#### SILICONE FACE SEAL

- Very soft and comfortable
- Higher mechanical, thermal and chemical stress resistance
- Does not deform with time and is more stable to UV rays
- Anallergic

#### FULL FACE MASK VS HALF MASK

- Provides a much higher Nominal Protection Factor: 1.000 x TLV with dusts and combined filters; 2.000 x TLV with gas filters
- Protects face and eyes from dust, splinters and chemicals
- Supports filters with a total weight higher than 300 g

### IMPORTANT

BLS declines any responsibility, direct or indirect, from any misuse of both devices and instructions. User is responsible for the determination of product compliance with the intended use.